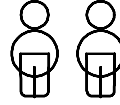
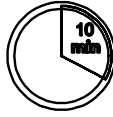


HINTS & TIPS



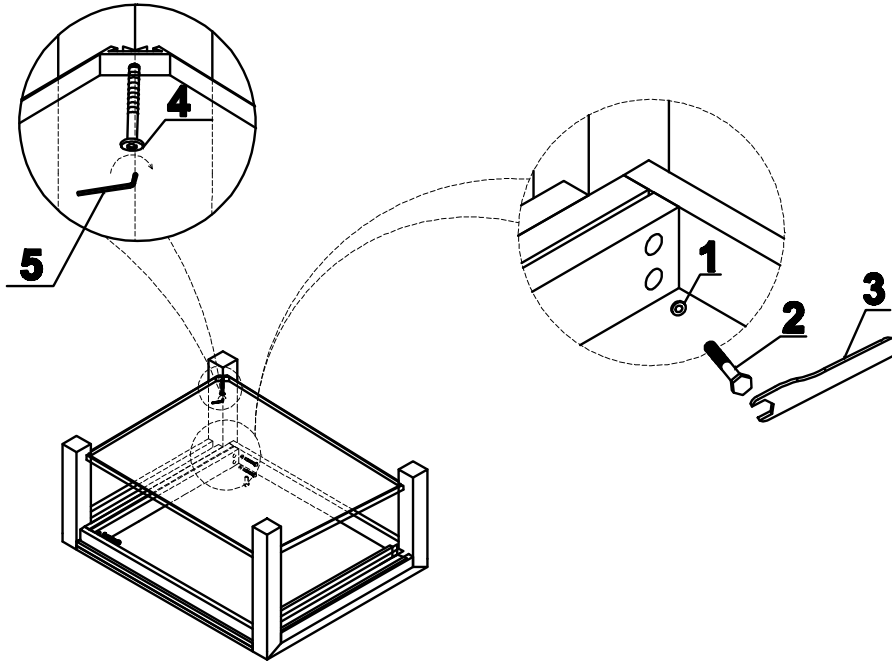
Please retain your assembly instruction for future use



This assembly requires two people

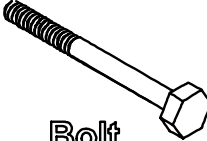
PRODUCT ASSEMBLY - Step by step guide

Step 1

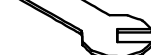


01  **X 8**

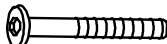
Washer

02  **X8**

Bolt

03  **x1**

Spanner

04  **X04**

Hexagon nult

05  **X01**

Hexagon key

Step 2

