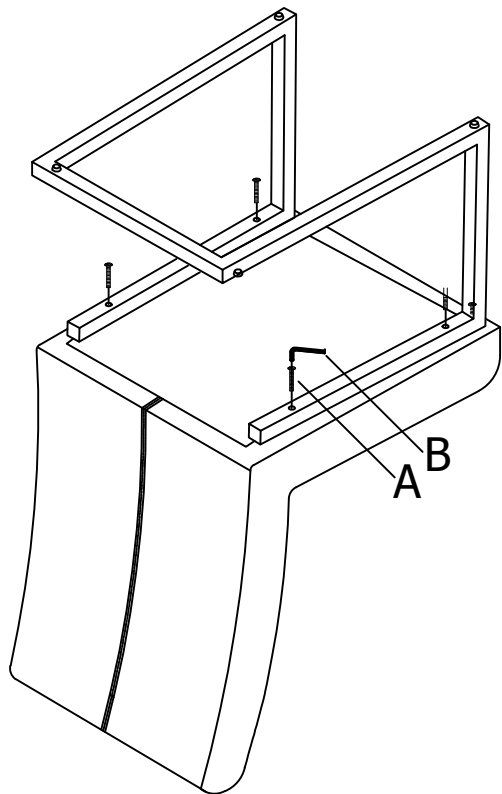
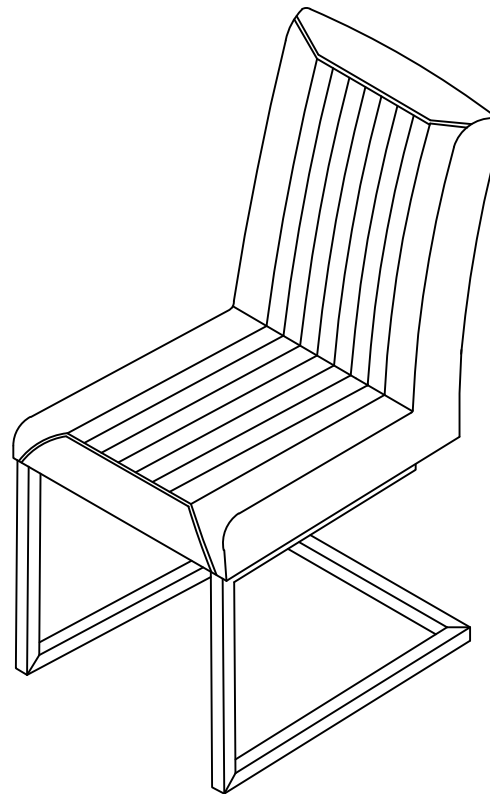




Pronto PARANTINO C2030T-1
wonen



STEP1



STEP2

A		M6*35	4
B		4#	1