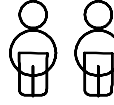


**HINTS & TIPS**



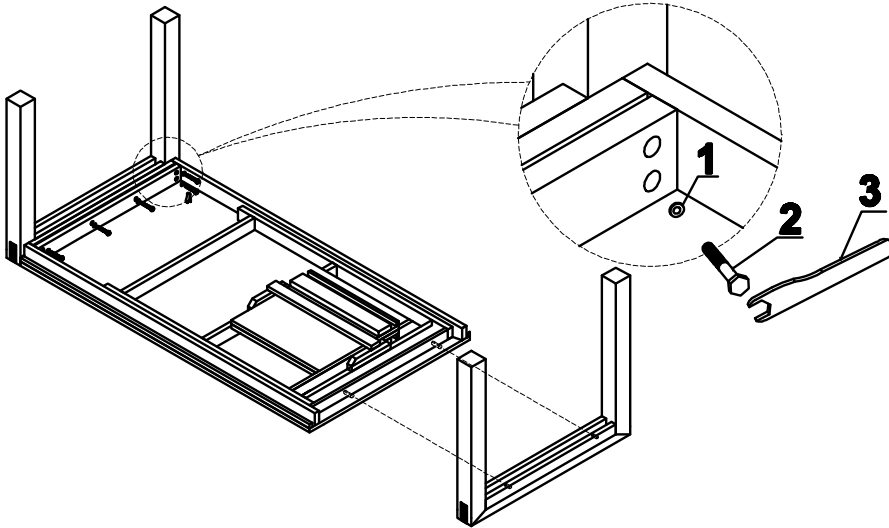
Please retain your assembly instruction for future use



**This assembly requires two people**

**PRODUCT ASSEMBLY - Step by step guide**

**Step 1**



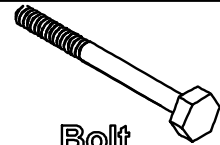
01



X 12

Washer

02



X 12

Bolt

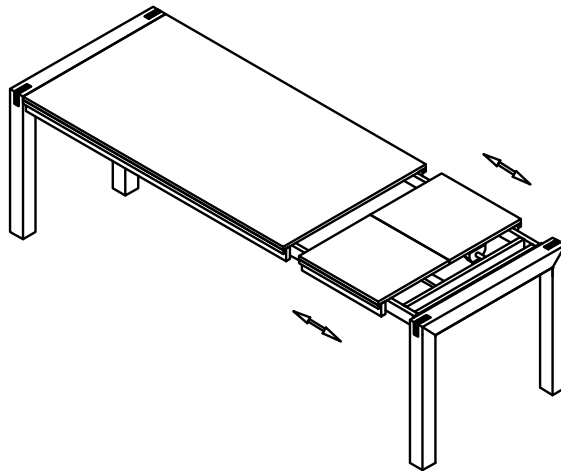
03



x1

Spanner

**Step 2**



**Step 3**

