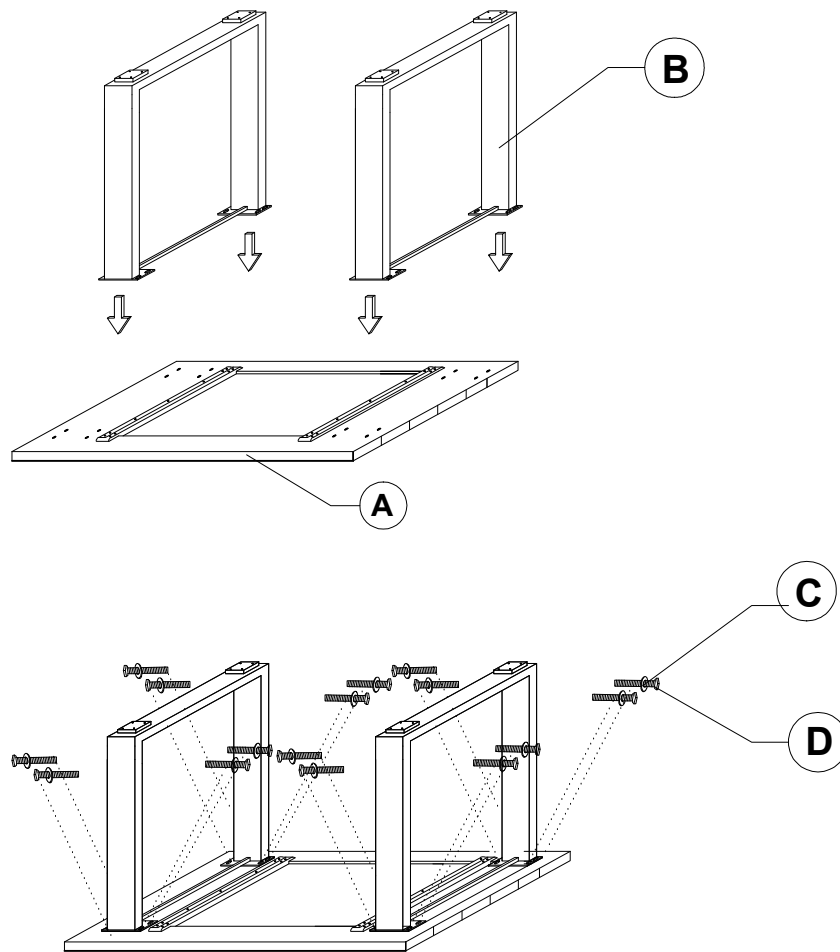
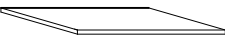




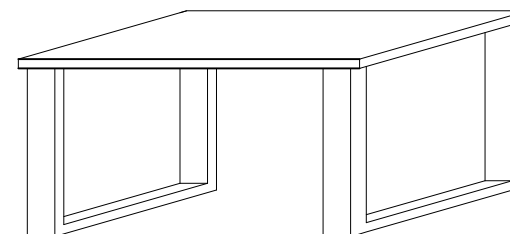


ASSEMBLY INSTRUCTION

ROMARO BAR TABLE



PART	QTY	DESCRIPTION
A	1	
B	2	
C	16	 M8 x 20MM
D	16	 ØM8
E	1	 5MM



FINISH ASSEMBLY