

ITEM	QTY	PARTS LIST	
		PART NUMBER	DESCRIPTION
1	4	HANDLE	
2	18	SCREW 4x18	
3	2	WEDGE PVC	
4	8	SCREW 3x16	
5	6	SCREW 5x30	

fig.1

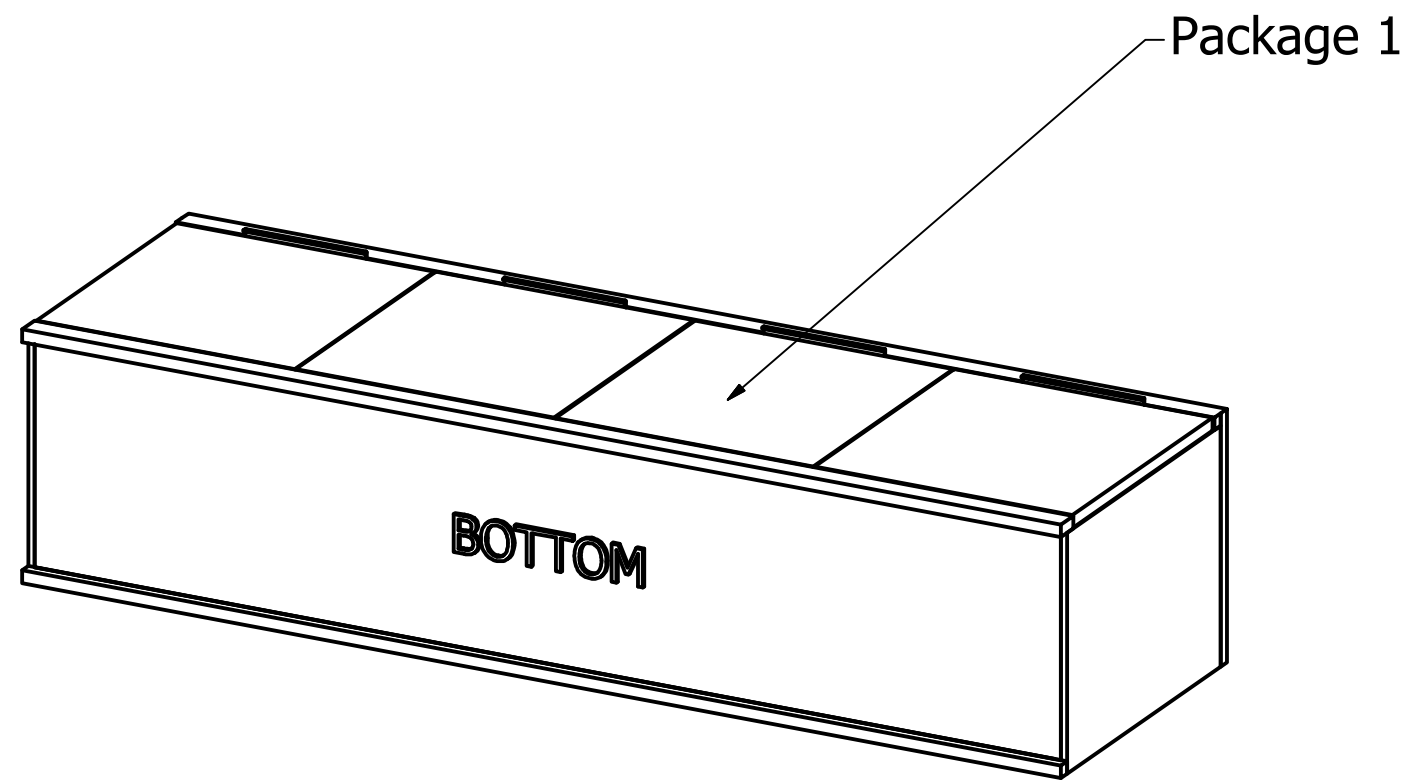


fig.2

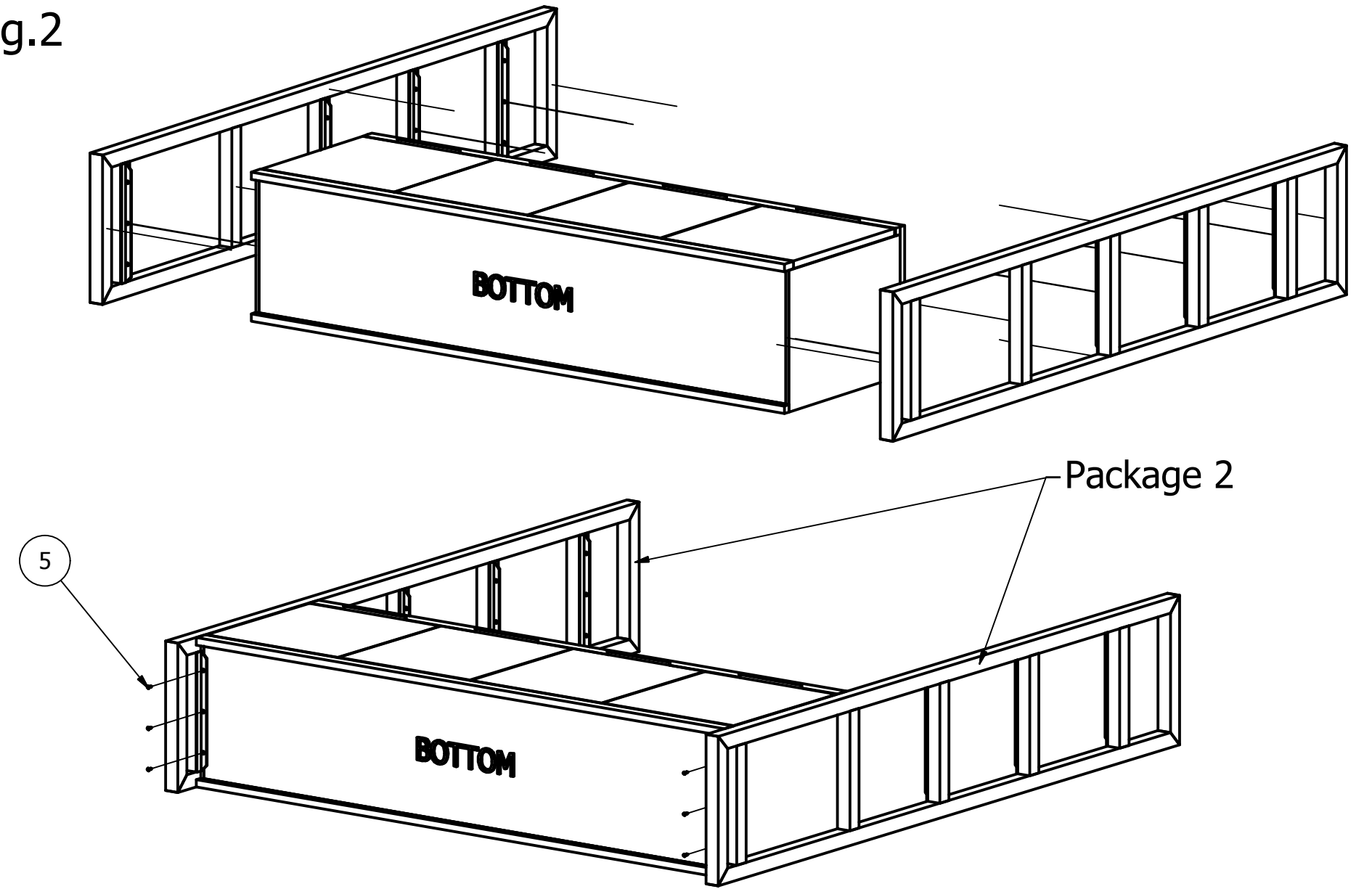


fig.3

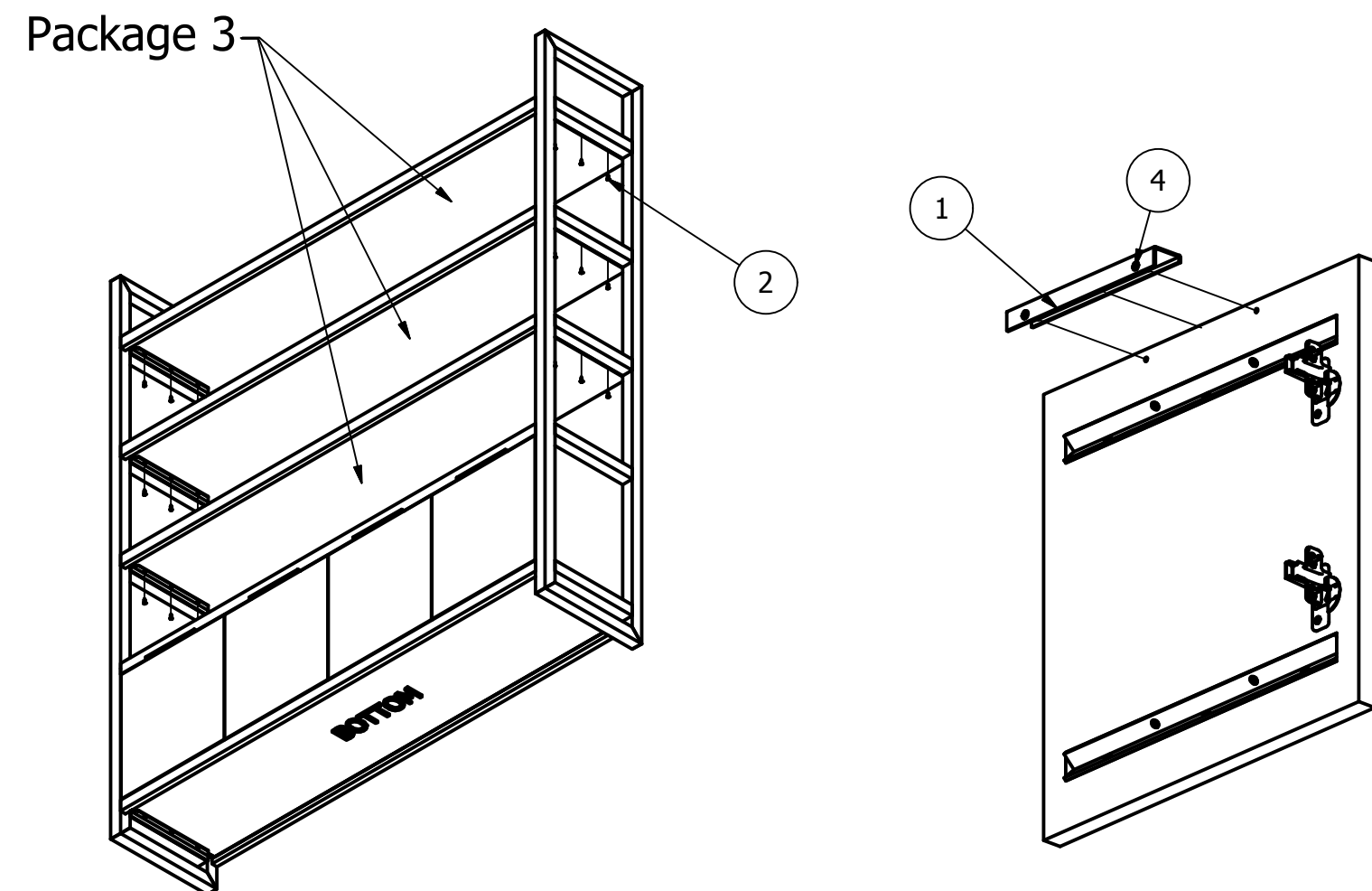


fig.4

