

PARTS LIST			
ITEM	QTY	PART NUMBER	DESCRIPTION
1	2	HANDLE	
2	18	SCREW 4x18	
3	2	WEDGE PVC	
4	4	SCREW 3x16	
5	6	SCREW 5x30	

fig.1

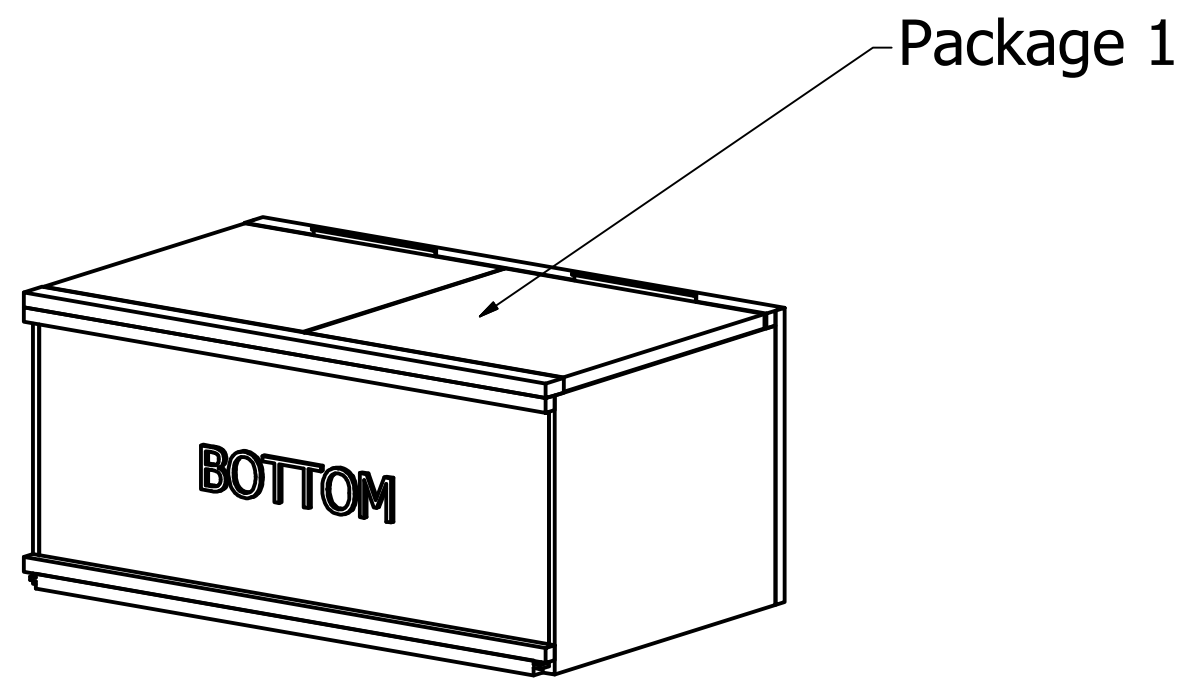


fig.2

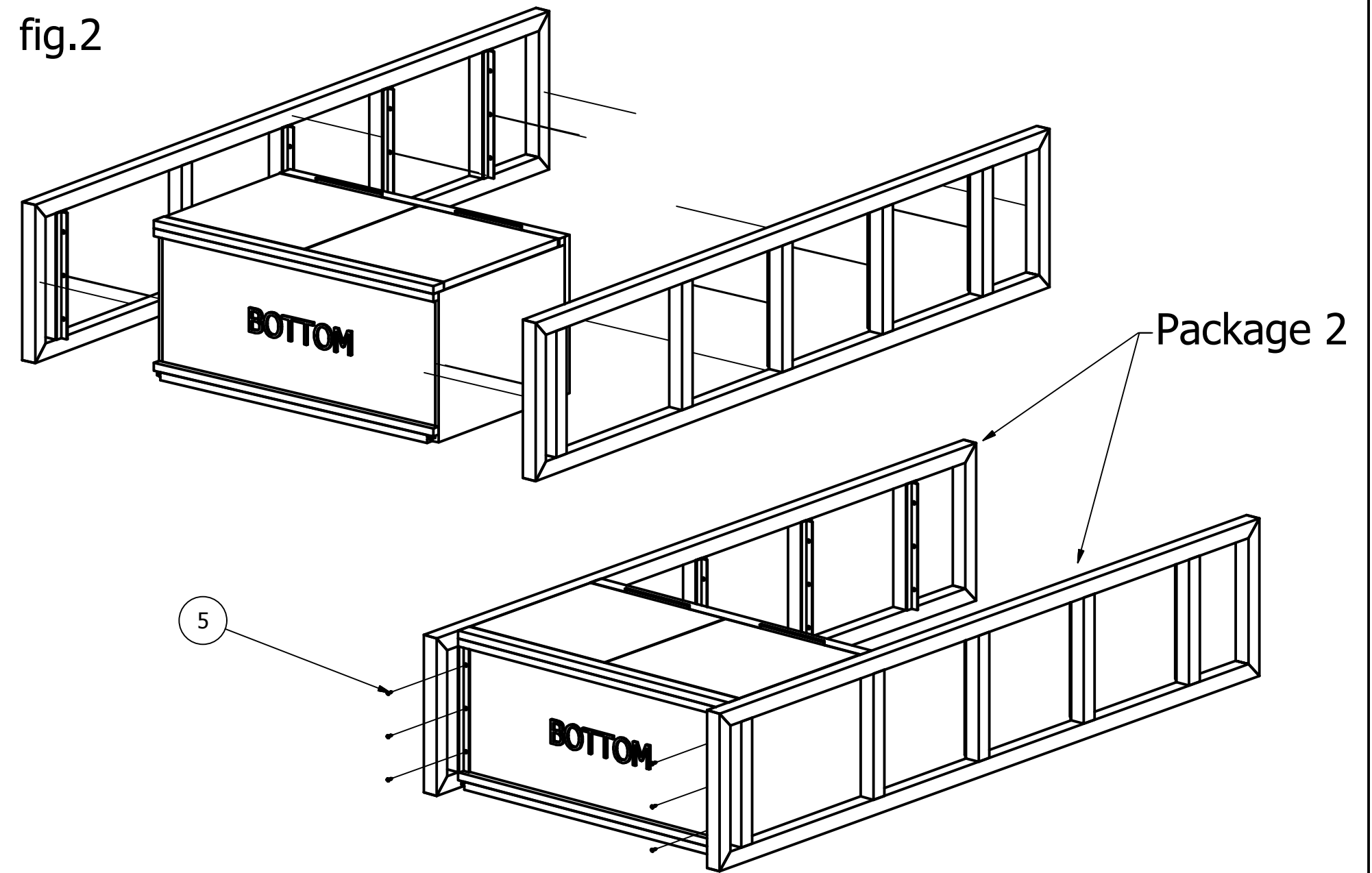


fig.3

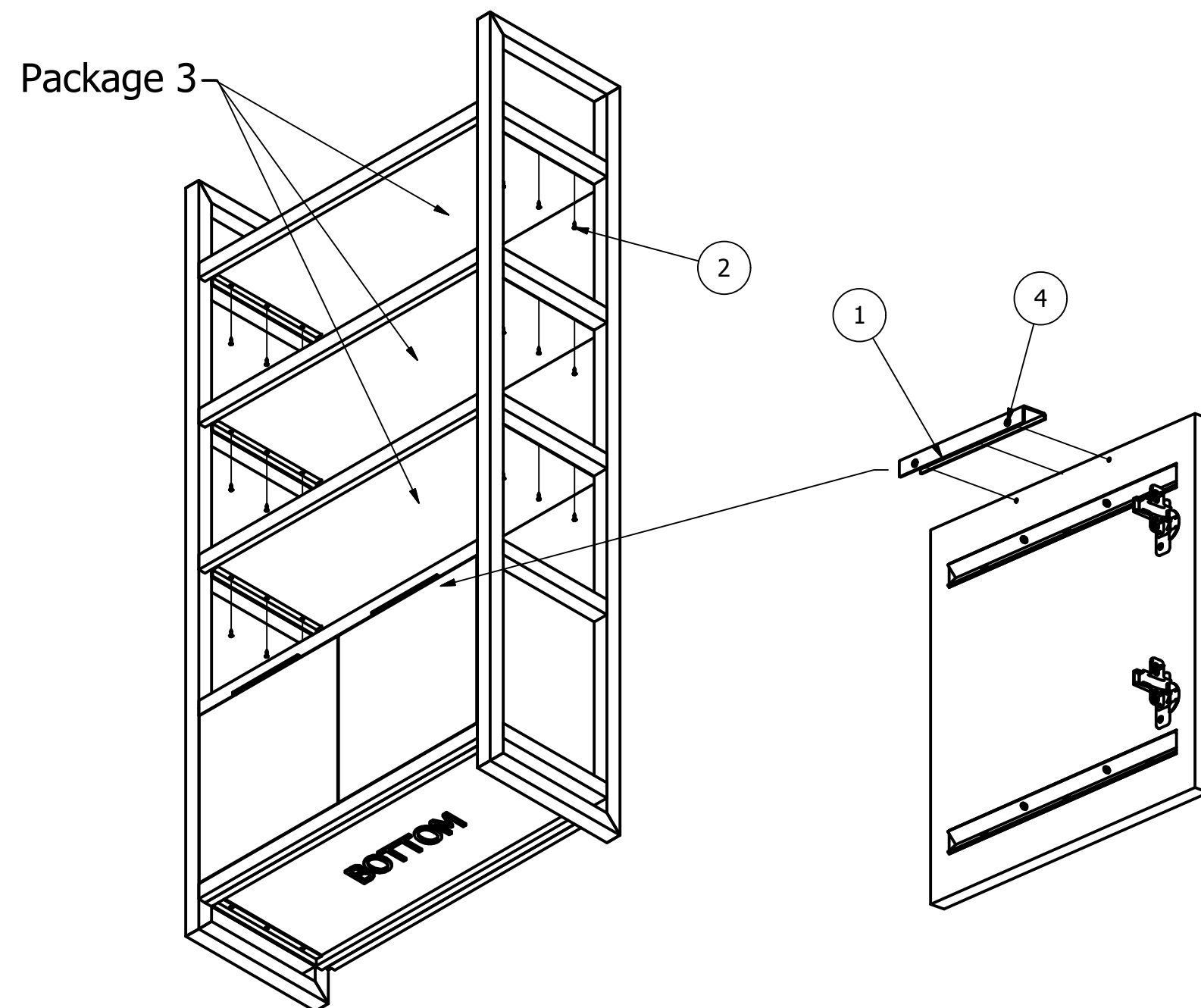


fig.4

