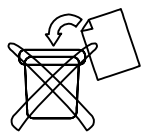
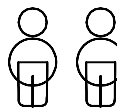
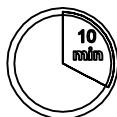


HINTS & TIPS



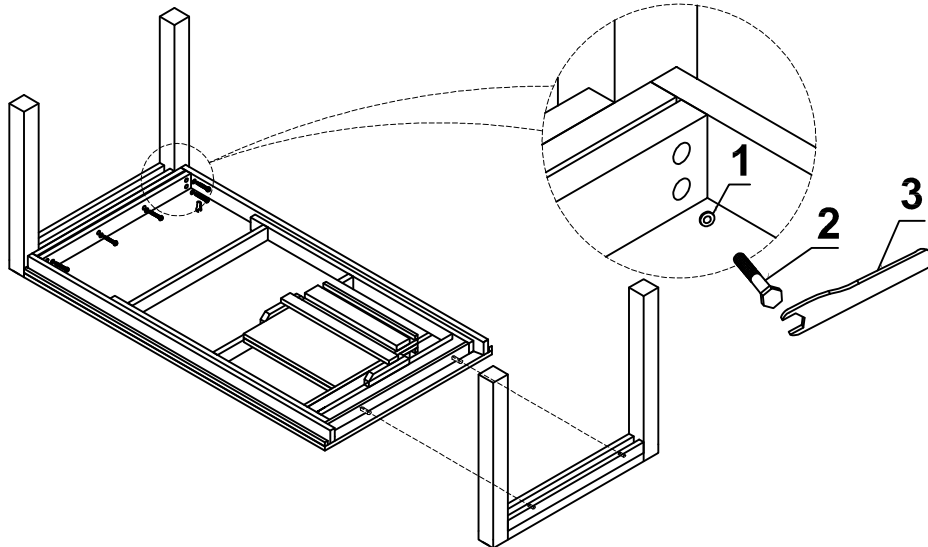
Please retain your assembly instruction for future use



This assembly requires two people

PRODUCT ASSEMBLY - Step by step guide

Step 1



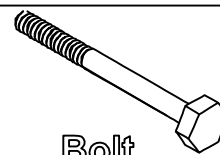
01



X 12

Washer

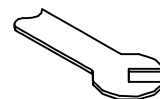
02



X 12

Bolt

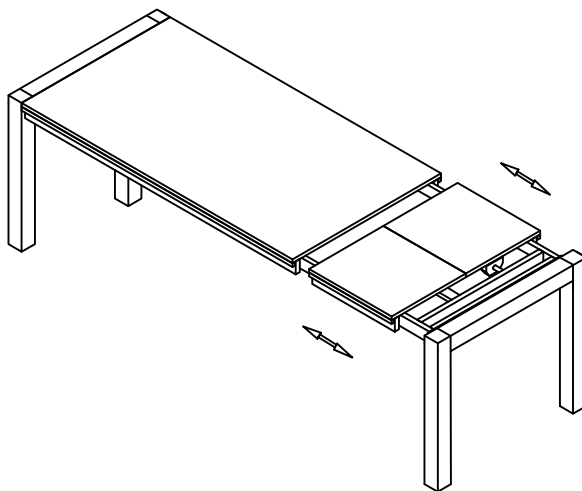
03



x1

Spanner

Step 2



Step 3

