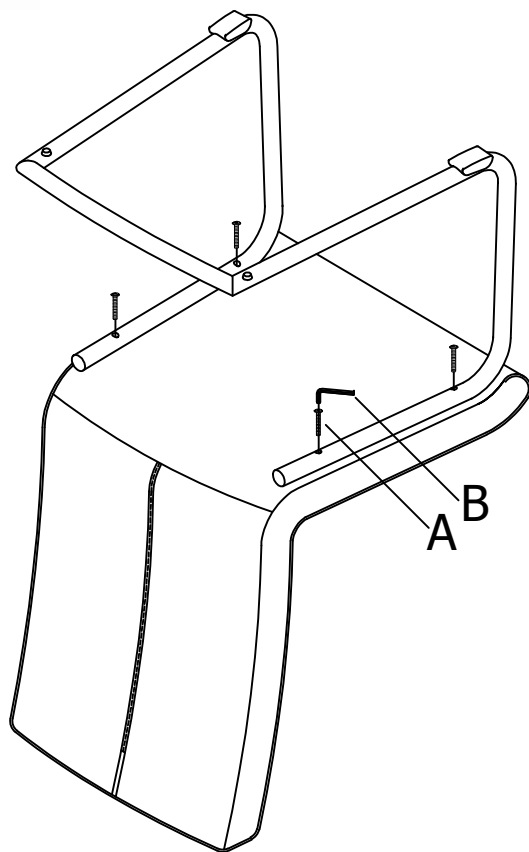
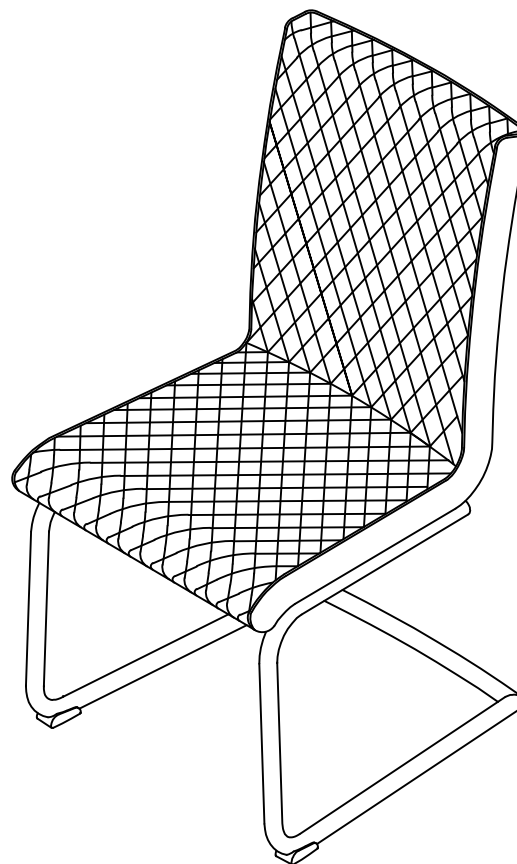




*Pronto* FUCINI Y-608-1  
wonen



STEP1



STEP2

A		M6*35	4
B		4#	1